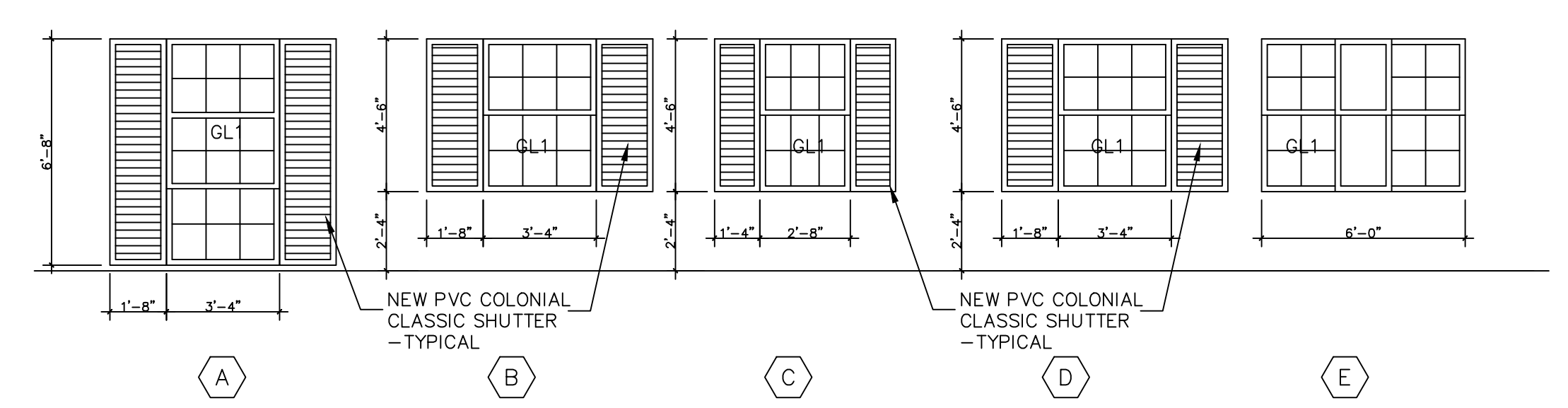


- INTERIOR FINISHES GENERAL NOTES:
- ALL FINISHES SHALL COMPLY WITH NFPA 101 TABLE A.12.5.3 AS FOLLOWS:
    - EXIT ENCLOSURES SHALL BE CLASS A
    - CHAPTER, SOCIAL & CORRIDORS SHALL BE CLASS A OR B
    - ALL OTHER SPACES SHALL BE CLASS A, B OR C.
  - ALL KITCHEN BACK-SPLASH TO BE 4" SAME MATERIAL AS COUNTER TOP.
  - ALL GWB FINISHES SHALL BE FINISHED SMOOTH, PRIMED AND PAINTED.
  - ALL INTERIOR FINISHES IN APARTMENTS SHALL BE A MINIMUM OF CLASS "C" IN ACCORDANCE WITH AASTM-E-84.

| MARK   | MATERIAL          | COLOR            | MANUFACTURER               | PRODUCT NO.          | REMARKS                                     |
|--------|-------------------|------------------|----------------------------|----------------------|---|
| CONC   | CONCRETE          | GRAY             |                            |                      | Level 2 finish-honed finish-grit 100        |
| SCONC  | STAINED CONCRETE  |                  | KEMKO                      |                      |   |
| LVT    | Prospect Plus LVT | Toasted Barnwood | MOHAWK                     | Prequel              | THROUGHOUT UNITS LIVING, BEDROOMS AND BATHS |
| P-1    | PAINT             | Notable Hue      | SHERWIN WILLIAMS           | SW 6521              | PAINT FOR WALLS                             |
| P-2    | PAINT             | PURE WHITE       | SHERWIN WILLIAMS           | SW 7005 GLOSS        | PAINT FOR TRIM, HM DOORS & CEILING          |
| BASE   | 4 1/4" WOOD BASE  | BROWN            | ROBERT BOWDEN INC.         | WM620 - 9/16"x4 1/4" | SPECIES F                                   |
| BASE2  | CERAMIC TILE      | MATTE BISCUIT    | MODERN DIMENSIONS          | 4"x12"               | COVERED BASE 1/8" GROUT JOINT-BRITE WHITE   |
| MCWB   | M.R. GYPSUM BOARD |                  |                            |                      | MOISTURE RESISTANT DRYWALL AT BATHROOMS     |
| GWB    | GYPSUM BOARD      |                  |                            |                      | CEILING MATERIAL-TYPE "C"                   |
| CAB-1  | SHAKER CABINETS   | CINNAMON         | HOME DECORATORS COLLECTION |                      | STAINED WOOD                                |
| CN-1   | COUNTER TOP       | WHITE DIAMOND    | ECO BY CONSENTINO          |                      |   |
| SPLASH | BACK SPLASH       | WHITE DIAMOND    | ECO BY CONSENTINO          |                      | 4"  |

**WINDOW ELEVATIONS**



**WINDOW SCHEDULE**

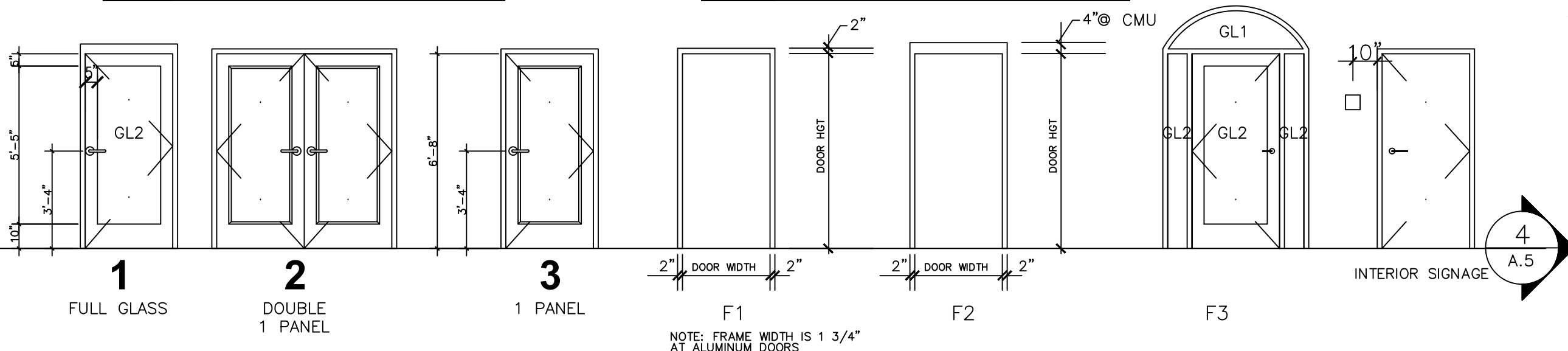
| MARK | SIZE (WIDTH x HEIGHT) | TYPE                  | MANUFACTURER/MODEL | HEAD HEIGHT | REMARKS                       |
|------|-----------------------|-----------------------|--------------------|-------------|-------------------------------|
| A    | 3'-4" x 6'-8"         | DOUBLE HUNG           | TO BE DETERMINED   |             | EXIST VERIFY EXISTING OPENING |
| B    | 3'-4" x 4'-6"         | DOUBLE HUNG           | TO BE DETERMINED   |             | EXIST VERIFY EXISTING OPENING |
| C    | 2'-8" x 4'-6"         | DOUBLE HUNG           | TO BE DETERMINED   |             | EXIST VERIFY EXISTING OPENING |
| D    | 4'-0" x 4'-6"         | DOUBLE HUNG           | TO BE DETERMINED   |             | EXIST VERIFY EXISTING OPENING |
| E    | 6'-0" x 4'-6"         | 2 DOUBLE HUNG & FIXED | TO BE DETERMINED   |             | EXIST VERIFY EXISTING OPENING |

**GLAZING SCHEDULE**

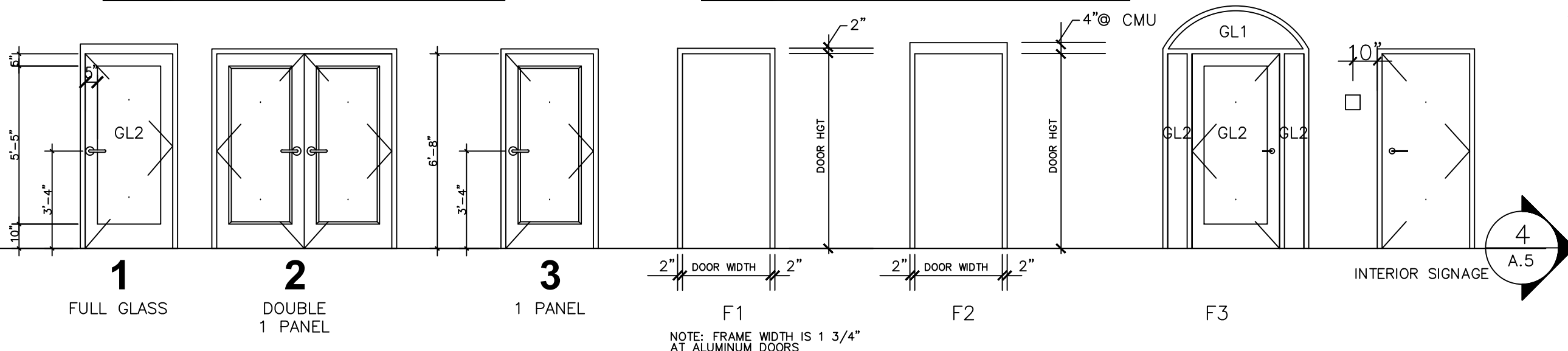
| NO. | DESCRIPTION            |
|-----|------------------------|
| GL1 | 1" INSULATED           |
| GL2 | 1" INSULATED, TEMPERED |

- GENERAL WINDOW NOTES:
- ALL GLAZING FOR EXTERIOR WINDOWS SHALL BE 1" INSULATED, UNO.
  - WINDOW SIZES SHOWN ARE NOMINAL. G.C. SHALL VERIFY ACTUAL WINDOW SIZES W/ EXISTING WINDOWS & WINDOW MFR. PRIOR TO WINDOW FABRICATION.

**DOOR ELEVATIONS**



**FRAME ELEVATIONS**



**DOOR SCHEDULE**

| FLOOR | DR. NO. | SIZE (WIDTH X HEIGHT X THICKNESS) | MATERIAL | DOOR TYPE | LABEL (HRS.) | GLASS | THRD. | FRAME TYPE | CLOSER | HDWR SET # | REMARKS   |
|-------|---------|-----------------------------------|----------|-----------|--------------|-------|-------|------------|--------|------------|---|
|       | B01A    | (2) 3'-0" x 7'-0" x 1-3/4"        | WOOD     | 2         |              |       |       | HM         |        | 5          | PANIC HARDWARE & WIRELESS SCHLAGE KEYPAD DEADBOLT |
|       | B02A    | 3'-0" x 7'-0" x 1-3/4"            | WOOD     | 3         |              |       |       | HM         | YES    | 4          | PROVIDE H.C. SIGNAGE                              |
|       | B03A    | 3'-0" x 7'-0" x 1-3/4"            | WOOD     | 3         |              |       |       | HM         | YES    | 4          | PROVIDE H.C. SIGNAGE                              |
|       | B04A    | 3'-0" x 7'-0" x 1-3/4"            | WOOD     | 1         |              |       |       | HM         |        | 3          |   |
|       | B05A    | 3'-0" x 7'-0" x 1-3/4"            | WOOD     | 1         |              |       |       | HM         | YES    | 3          | EXISTING-REPLACE IF NECESSARY                     |
|       | B06A    | (2) 3'-0" x 7'-0" x 1-3/4"        | WOOD     | 2         |              |       |       | HM         |        | 5          | EXISTING-REPLACE IF NECESSARY                     |
|       | B07A    | 3'-8" x 7'-0" x 1-3/4"            | STL      | 3         | 60 MIN       |       | YES   | HM         | YES    | 3          | KEY PAD, INSULATED WITH PANIC HARDWARE            |
|       | B07B    | 3'-8" x 7'-0" x 1-3/4"            | STL      | 3         | 60 MIN       |       | YES   | HM         | YES    | 3          | PANIC HARDWARE                                    |
|       | B08A    | 3'-0" x 7'-0" x 1-3/4"            | WOOD     | 3         |              |       |       | HM         |        | 2          |   |
|       | B09A    | (2) 3'-0" x 7'-0" x 1-3/4"        | WOOD     | 2         |              |       | YES   | ALUM       |        | 5          |   |
|       | B10A    | (2) 3'-0" x 7'-0" x 1-3/4"        | WOOD     | 2         |              |       |       | HM         |        | 5          |   |
|       | B10B    | (2) 3'-0" x 7'-0" x 1-3/4"        | WOOD     | 3         |              |       |       | HM         |        | 5          |   |
|       | B11A    | 3'-8" x 7'-0" x 1-3/4"            | ALUM     | 1         |              | GL3   | YES   | HM         | YES    | 3          | KEY PAD, PANIC HARDWARE                           |
|       | B12A    | 3'-0" x 7'-0" x 1-3/4"            | WOOD     | 3         |              |       |       | HM         |        | 4          |   |
|       | 101A    | 3'-8" x 7'-0" x 1-3/4"            | ALUM     | 1         |              | GL3   |       | ALUM       |        | 1          | KEY PAD   |
|       | 102A    | 3'-8" x 7'-0" x 1-3/4"            | ALUM     | 1         |              | GL3   |       | ALUM       | YES    | 1          | KEY PAD   |
|       | 201A    | 3'-0" x 7'-0" x 1-3/4"            | ALUM     | 1         |              | GL3   |       | ALUM       | YES    | 1          | KEY PAD   |
|       | 202A    | (2) 3'-0" x 7'-0" x 1-3/4"        | WOOD     | 2         |              |       |       | HM         |        | 5          |   |
|       | 203A    | 3'-0" x 7'-0" x 1-3/4"            | WOOD     | 3         |              |       |       | HM         |        | 4          |   |
|       | 204A    | 3'-0" x 7'-0" x 1-3/4"            | WOOD     | 3         |              |       |       | HM         |        | 3          | PANIC HARDWARE                                    |
|       | 205A    | 3'-8" x 7'-0" x 1-3/4"            | STL      | 3         | 60 MIN       |       |       | HM         |        | 3          | PANIC HARDWARE                                    |
|       | A01A    | 3'-0" x 7'-0" x 1-3/4"            | ALUM     | 1         |              | GL3   |       | ALUM       | YES    | 1          | KEY PAD   |
|       | A02A    | 3'-8" x 7'-0" x 1-3/4"            | STL      | 3         | 60 MIN       |       |       | HM         |        | 3          | PANIC HARDWARE                                    |
|       | A02B    | 3'-8" x 7'-0" x 1-3/4"            | STL      | 3         | 60 MIN       |       |       | HM         |        | 3          | PANIC HARDWARE                                    |
|       | U01A    | 3'-0" x 7'-0" x 1-3/4"            | WOOD     | 3         |              |       | YES   | HM         | YES    | 4          | UNIT ENTRY DOOR                                   |
|       | U02A    | 3'-0" x 7'-0" x 1-3/4"            | WOOD     | 3         |              |       |       | HM         |        | 4          | UNIT BEDROOM DOOR                                 |
|       | U03A    | 3'-0" x 7'-0" x 1-3/4"            | WOOD     | 3         |              |       | YES   | HM         |        | 2          | UNIT BATHROOM DOOR                                |
|       | U04A    | (2) 3'-0" x 7'-0" x 1-3/4"        | WOOD     | 2         |              |       |       | HM         |        | 6          | UNIT LAUNDRY DOORS                                |
|       | U05A    | 3'-0" x 7'-0" x 1-3/4"            | WOOD     | 3         |              |       |       | HM         |        | 2          | PROVIDE LOUVER-REF. MECH                          |
|       | U06A    | 2'-0" x 7'-0" x 1-3/4"            | WOOD     | 2         |              |       |       | HM         |        | 2          | NOT EVERY UNIT HAS THIS DOOR/ROOM                 |
|       | U07A    | (2) 3'-0" x 7'-0" x 1-3/4"        | WOOD     | 2         |              |       |       | HM         |        | 2          | ONLY AT ATTIC UNITS                               |

| SET NO. | DESCRIPTION  | SET NO. | DESCRIPTION   |
|---------|--|---------|---|
| 1       | 1 SET PIVOT HINGES BY STOREFRONT MANUF.<br>1 LOCK TUMBLER CORE BY OWNER<br>1 SET STANDARD PUSH, PULL HARDWARE<br>1 DOOR CLOSER BY STOREFRONT MANUF.<br>1 SET WEATHERSTRIP AND BOTTOM SWEEP - H.C. ALUM. THRESHOLD<br>DOOR FITTED WITH ADAMS-RITE DEAD BOLT WITH TEMPORARY CYLINDER                           | 4       | 1 1/2 PR. HINGES - MCKINNEY T2714 , 4 1/2 X 4 1/2, 26D<br>1 MORTISE LOCKSET<br>1 KICKPLATE - IVES .037, 8X34 US32D<br>1 DOOR CLOSER - SARGENT EN1230-O XZ SN<br>3 SILENCERS<br>1 FLOOR STOP   |
| 2       | 1 1/2 PR. HINGES - MCKINNEY T2714 , 4 1/2 X 4 1/2, 26D<br>1 LEVER PRIVACY - SCHLAGE SATURN S40D, 626<br>1 KICKPLATE - IVES .037, 8X34 US32D<br>1 DOOR CLOSER - SARGENT EN350 PS X SN<br>3 SILENCERS<br>1 FLOOR STOP<br>PROVIDE HANDICAPPED MEN AND WOMEN SIGNAGE   | 5       | 1 1/2 PR. HINGES - MCKINNEY T2714 , 4 1/2 X 4 1/2, 26D, NRP<br>1 MORTISE LOCKSET<br>2 KICKPLATES - IVES .037, 8X42 US32D<br>1 DOOR CLOSER - SARGENT EN350 PS X SN<br>2 FLOOR STOP<br>1 SET WEATHERSTRIP AND BOTTOM SWEEP , ALUM. THRESHOLD<br>SCHLAGE CAMELOT TRIM CONNECTED KEYPAD DEADBOLT SATIN NICKEL BE369NX CAM 619 @ CHAPTER ROOM ONLY |
| 3       | 1 SET OF CONT. STAINLESS STEEL PIANO HINGE (304 stainless)<br>1 MORTISE LOCKSET<br>1 PANIC BAR<br>1 KICKPLATE - IVES .037, 8X42 US32D<br>1 DOOR CLOSER - SARGENT EN350 PS X SN<br>1 FLOOR STOP<br>1 SET WEATHERSTRIP AND BOTTOM SWEEP , ALUM. THRESHOLD<br>1 MARK&B ARCH. PRODUCTS, B 1321 REINFORCING PIVOT | 6       | 1 1/2 PR. HINGES - MCKINNEY T2714 , 4 1/2 X 4 1/2, 26D, NRP<br>1 LEVER PRIVACY - SCHLAGE SATURN S40D, 626<br>2 KICKPLATES - IVES .037, 8X42 US32D   |

- HARDWARE AND KEYING NOTES:
- ALL REQUIRED EXIT DOORS SHALL BE OPENABLE FROM THE INSIDE WITHOUT THE USE OF A KEY, TOOL, SPECIAL KNOWLEDGE OR EFFORT. READILY VISIBLE DURABLE SIGN SHALL BE POSTED ON THE EGRESS SIDE OR ADJACENT TO THE DOOR STATING "THIS DOOR TO REMAIN UNLOCKED WHEN BUILDING IS OCCUPIED. THE SIGN SHALL BE IN LETTERS 1" HIGH ON CONTRASTING BACKGROUND.
  - PROVIDE AND INSTALL PERMANENT CORES ON ALL LOCKING DEVICES.
  - PRODUCTS:
    - HINGES: HAGER, MCKINNEY OR STANLEY
    - LOCKSETS: SCHLAGE
    - CYLINDERS: SCHLAGE "C"
    - CLOSERS: LCN, SARGENT OR EQUAL
    - STOPS: IVES, ROCKWOOD OR BALDWIN
  - DOOR NOTES:
    - ALL THRESHOLDS SHALL BE 1/4" OFFSET, ADA ACCESSIBLE
    - PROVIDE WEATHERSTRIPPING FOR ALL EXTERIOR DOORS
    - ALL LOCKS TO BE MASTER KEYED TO SELECTED SYSTEM
    - PROVIDE DOOR STOPS FOR ALL DOORS



**CONSTRUCTION MANAGER**  
Quality Structure, Inc  
CONTACT: John Freudenthal  
C: 704.756.3555  
e: john.freudenthal@quality-structures.com

**BUILDING DEPARTMENT**  
Building Inspections Division  
Code Enforcement Dept.  
First Floor, Right Door  
389 Spruce Street  
Morgantown, WV 26505  
304-284-7401

Pi Kappa Alpha  
 West Virginia University  
 117 Belmar Avenue  
 Morgantown, WV 26505



SEALS 9.9.16

| DATE | NO. |
|------|-----|
|      |     |

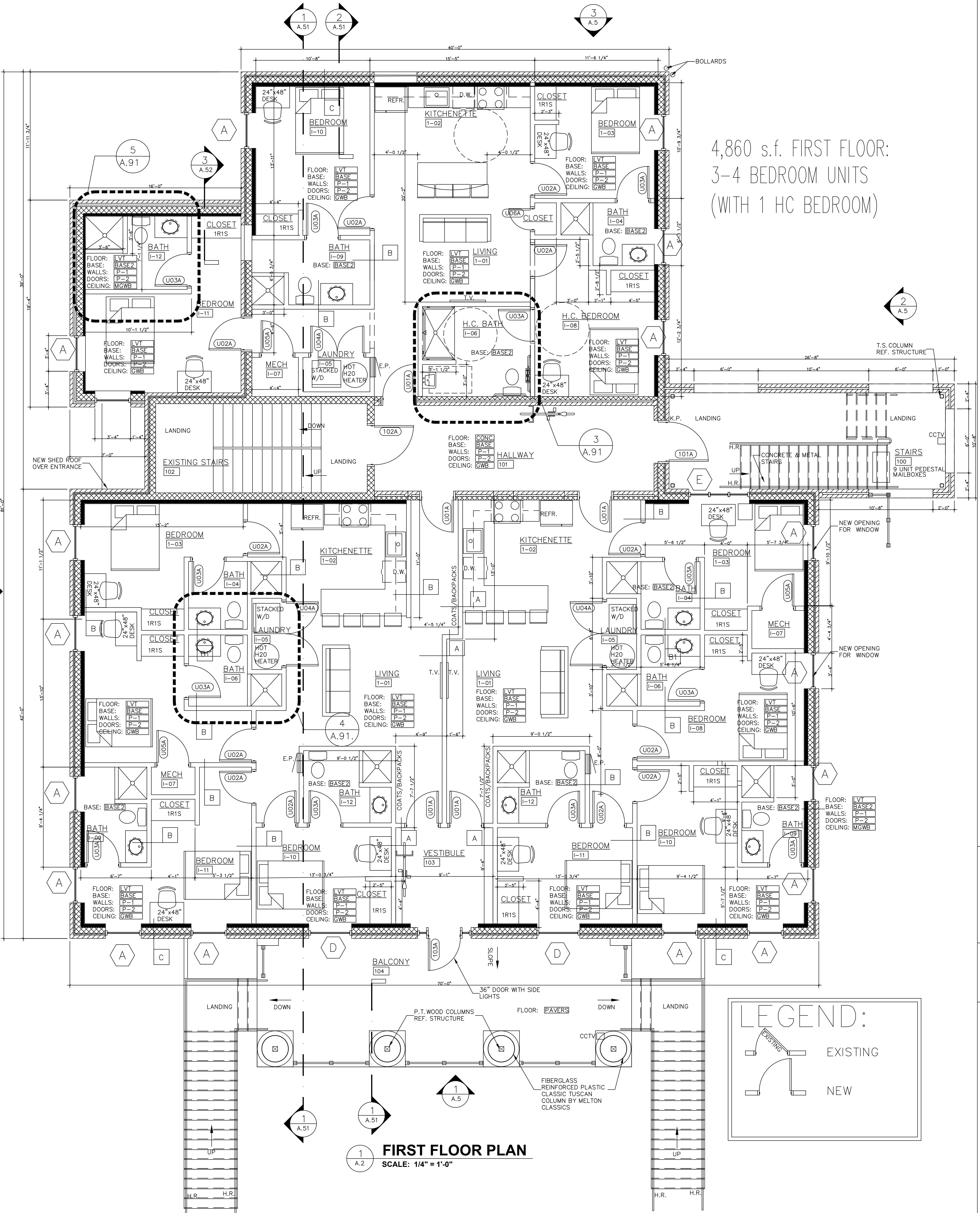
**REVISIONS**  
CONSTRUCTION DOCUMENTS  
RELEASED FOR CONSTRUCTION

Title: **FIRST FLOOR**

Scale: 1/4" = 1'-0"

Drawing No. **A.2** of **A.2**

Issue Date **9.9.16**



4,860 s.f. FIRST FLOOR:  
3-4 BEDROOM UNITS  
(WITH 1 HC BEDROOM)

**FIRST FLOOR PLAN**  
SCALE: 1/4" = 1'-0"

